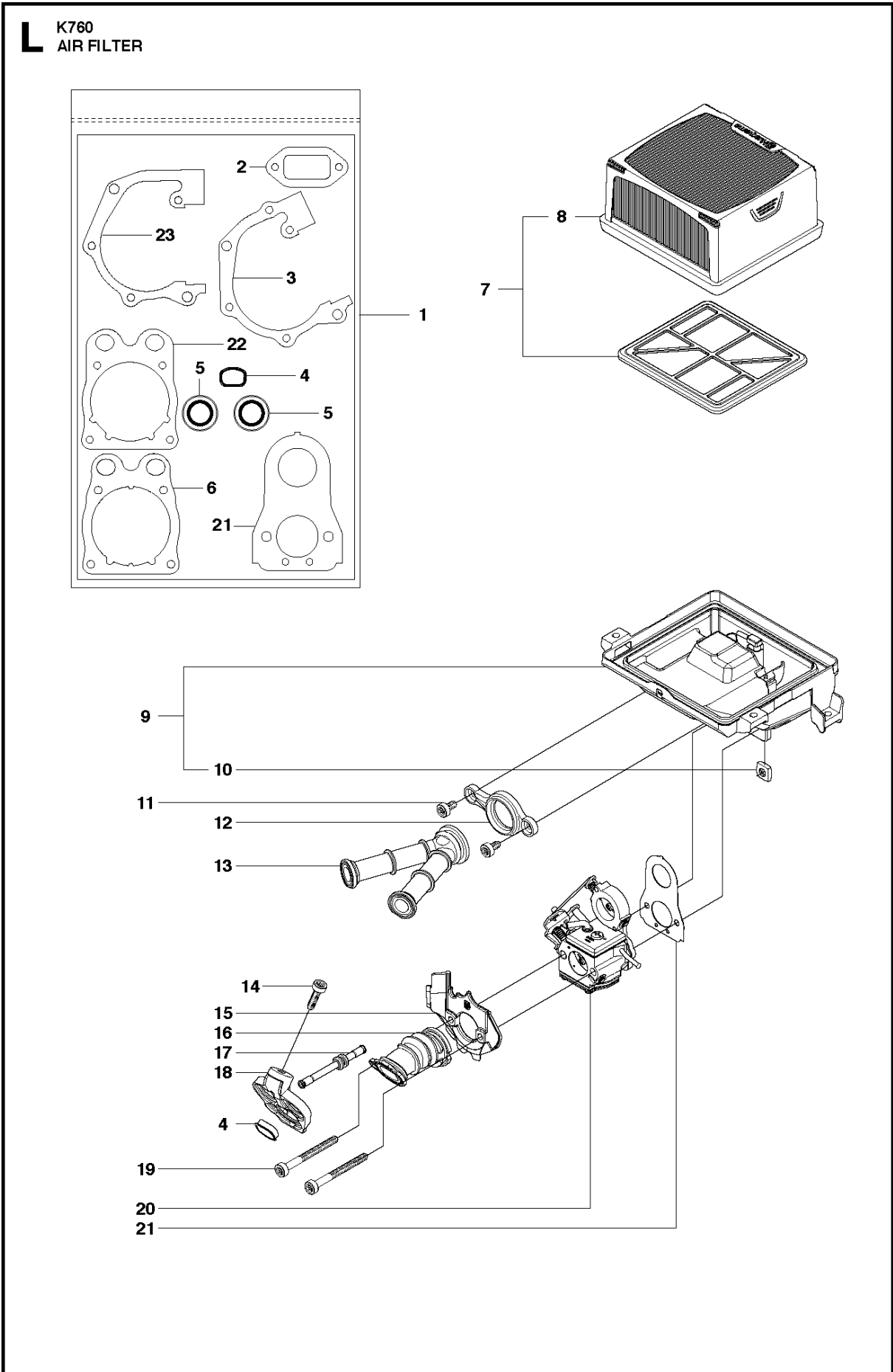




# SPARE PARTS LIST

POWER CUTTERS

K760, 2013-02

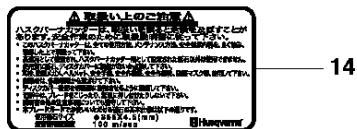
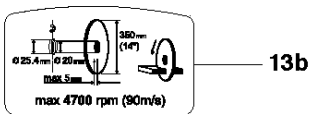
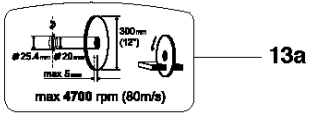
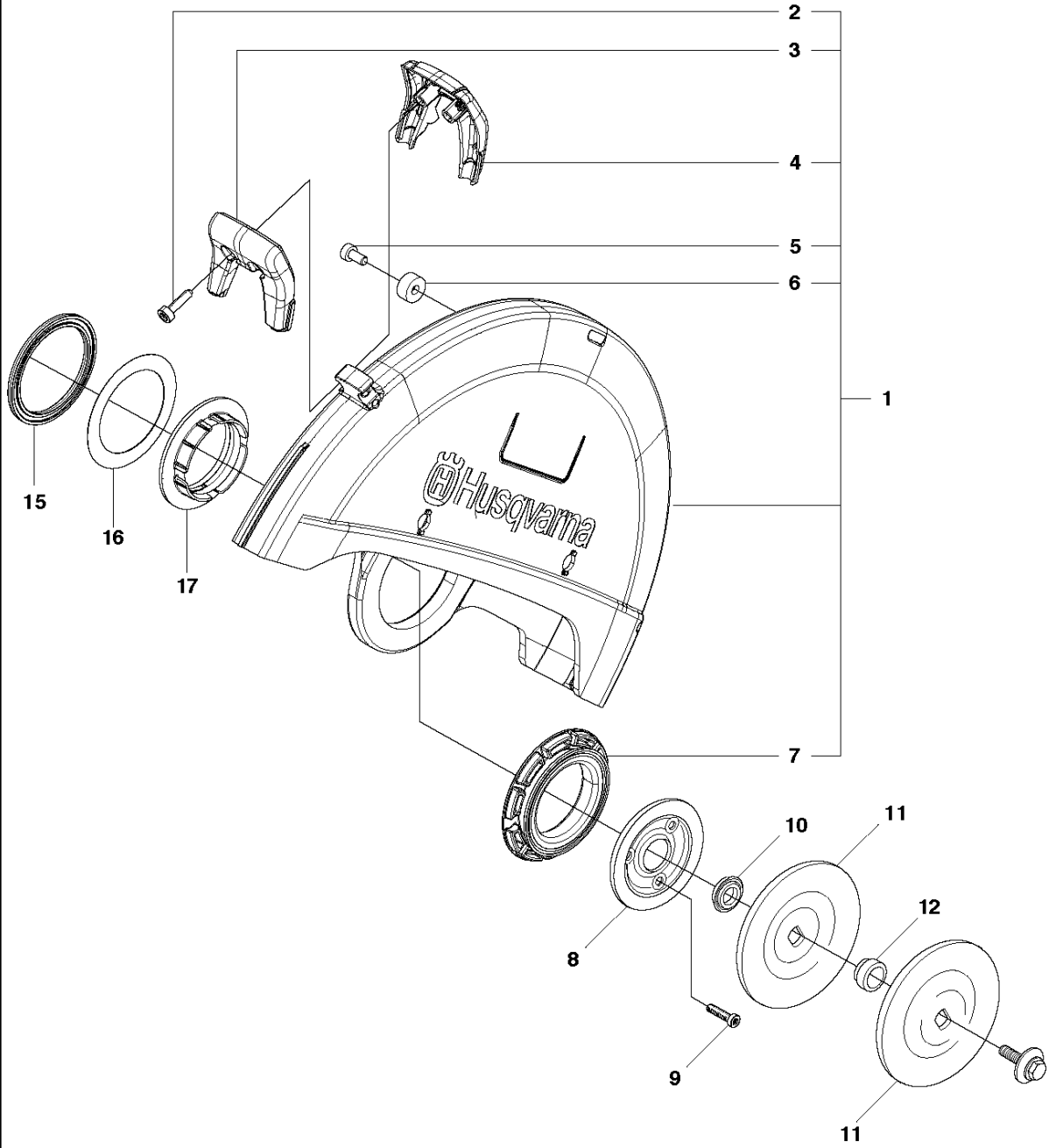


## AIR FILTER

K760, 2013-02

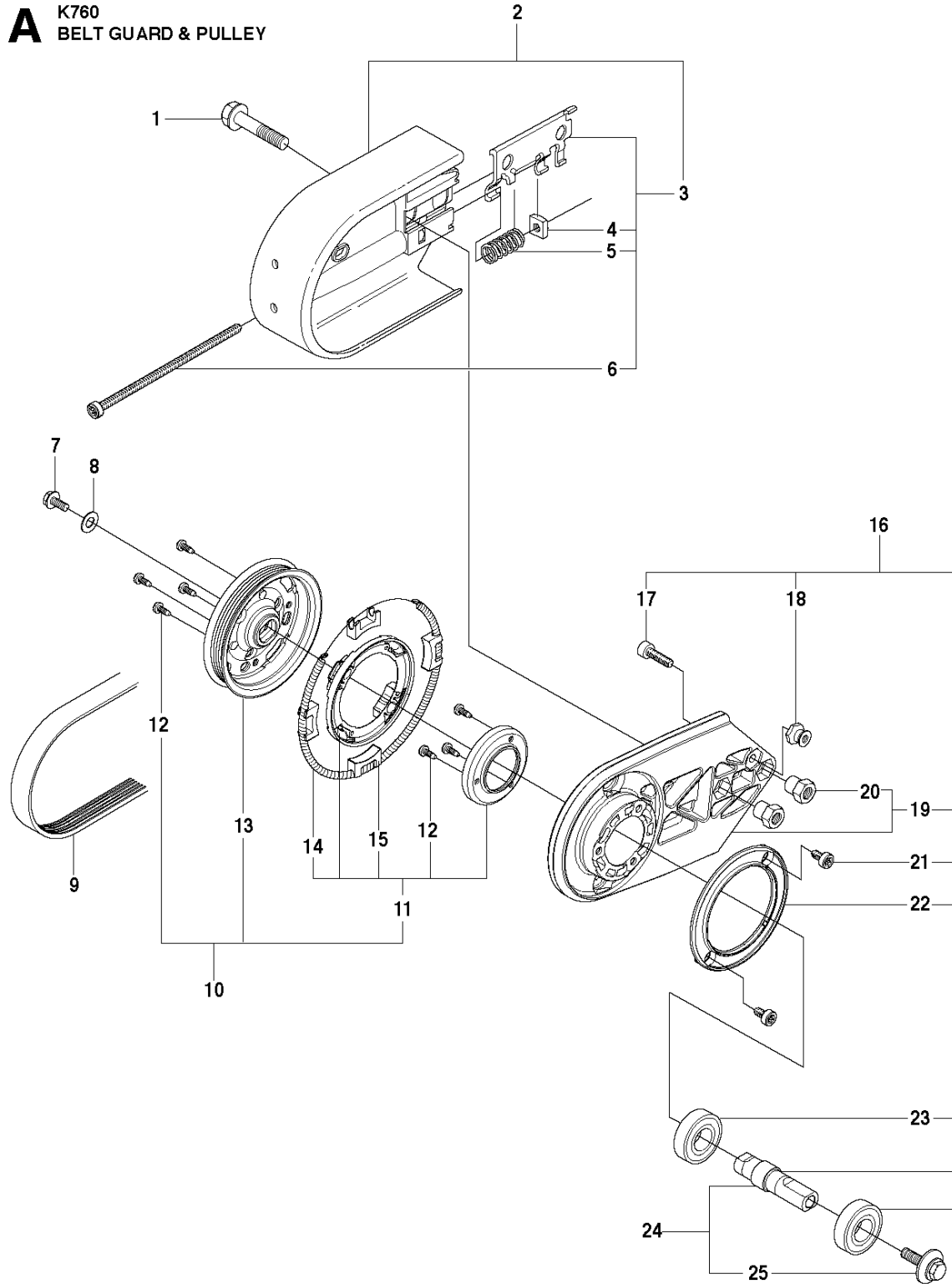
Ref	Part no.	Description	Remark	Qty	Kit
1	581 35 74-01	GASKET KIT		1	
2	506 37 69-02	GASKET MUFFLER		1	
3	506 37 70-03	GASKET CRANKCASE		1	
4	544 21 93-02	INSERT		1	
5	503 26 02-04	SEALING RING		2	
6	581 28 53-01	GASKET		1	
7	574 36 23-01	AIR FILTER ASSY		1	
8	525 47 06-01	AIR FILTER ASSY		1	
9	575 35 40-01	CARBURETTOR BRACKET		1	
10	503 22 65-04	SQUARE NUT		4	
11	503 21 53-10	SCREW ITXSCM		2	
12	506 37 06-01	FLANGE INLET PIPE		1	
13	525 73 32-01	INLET PIPE		1	
14	503 21 53-20	SCREW ITXSCM		1	
15	576 89 01-01	HEAT SHIELD		1	
16	525 73 31-01	INLET PIPE		1	
17	578 76 07-01	IMPULSE HOSE		1	
18	574 23 18-01	PLATE		1	1
19	503 21 53-56	SCREW ITXSCM		2	
20	578 24 34-01	CARBURETTOR		1	
21	506 37 68-04	GASKET CARBURETTOR		1	
22	506 37 67-01	CYLINDER BASE GASKET		1	
23	506 37 70-02	GASKET CRANKCASE		1	

**B** K760  
BLADE GUARD ASSY



Ref	Part no.	Description	Remark	Qty	Kit
1	581 35 19-01	WHEEL GUARD	"12"" , Incl. 2 - 7"	1	
1	581 35 19-02	WHEEL GUARD	"14"" , Incl. 2 - 7"	1	
2	504 90 94-14	SCREW ITXSCT		2	
3	578 19 09-01	HANDLE HALF		1	
4	578 76 09-01	HANDLE HALF		1	
5	504 90 94-10	SCREW ITXSCT		1	
6	581 62 03-01	STOP		1	
7	578 19 10-01	LINING		1	
8	506 26 65-01	FLANGE		1	
9	505 57 41-16	SCREW ITXSCT		3	
10	506 32 48-01	SUPPORT FLANGE		1	
11	583 87 44-01	FLANGE	Diam 105 mm	2	
11	506 07 09-01	FLANGE WASHER	"Diam 119 mm, Japan 14"" only "	2	
12	578 39 82-01	BUSHING	Diam 20 / 25,4 mm	1	
12	581 60 54-03	BUSHING	Diam 30,5 mm	1	
12	506 37 96-22	KIT	Diam 22,2 mm	1	
13a	581 11 77-01	DECAL	"12""	1	
13b	581 11 77-02	DECAL	"14""	1	
14	576 12 10-01	DECAL	"Japan only 12""	1	
14	576 12 10-02	DECAL	"Japan only 14""	1	
15	579 73 32-01	RUBBER RING		1	
16	579 73 33-01	SHIM		1	
17	579 73 36-01	WEAR WASHER		1	

**A** K760  
BELT GUARD & PULLEY



★Vベルトの張り直し  
Vベルトカバー上の2本のナットを緩め、V  
ベルトカバー上の3本のナットを時計回りに  
セットし、再び2本のナットを締め直します。



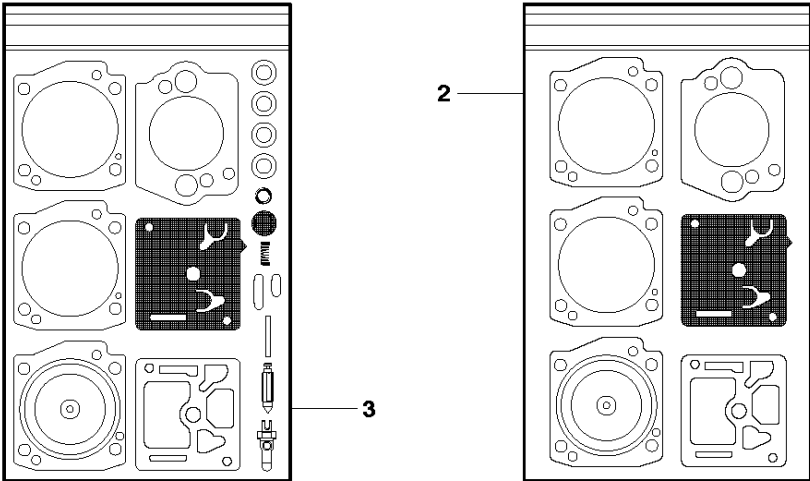
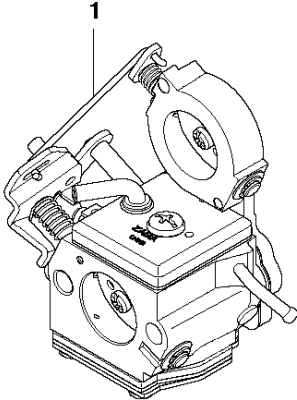
26

## BELT GUARD &amp; PULLEY

K760, 2013-02

Ref	Part no.	Description	Remark	Qty	Kit
1	506 28 44-01	SCREW EHHFM		2	
2	506 39 36-02	BELT GUARD	Incl. 3	1	
3	506 26 66-04	BELT TENSIONER ASSY	Incl. 4 - 6	1	
4	506 40 93-01	NUT		1	
5	506 26 68-01	COMPRESSION SPRING		1	
6	503 20 72-05	SCREW CITXSCM		1	
7	503 20 00-45	SCREW EHHFM		1	
8	503 23 01-16	WASHER		1	
9	544 90 84-02	BELT		1	
10	504 03 70-07	PULLEY	Incl. 11 - 13	1	
11	505 44 54-03	CASSETTE	Incl. 12, 14 - 15	1	
12	503 21 28-10	SCREW CCRPANT		7	
13	504 06 22-01	PULLEY		1	
14	544 44 10-01	DRAW SPRING		1	
15	544 44 04-02	BRAKE SHOE		4	
16	581 35 17-02	BEARING HOUSING	Incl. 17 - 19, 21 - 23	1	
16	506 39 42-08	BEARING HOUSING	Rescue only	1	
17	505 57 41-16	SCREW ITXSCM		1	
18	506 14 32-01	TORSION STOP		1	
19	581 35 17-01	BEARING HOUSING	Incl. 20	1	
20	506 28 73-01	NUT		2	
21	503 21 53-10	SCREW ITXSCM		2	
22	579 73 37-01	SEALING WASHER		1	
23	503 25 21-01	BALL BEARING		2	
24	506 29 83-65	SHAFT	Incl. 25	1	
25	581 85 52-01	SCREW		1	
26	506 30 97-05	LABEL	Japan only	1	

**M** K760  
CARBURETTOR

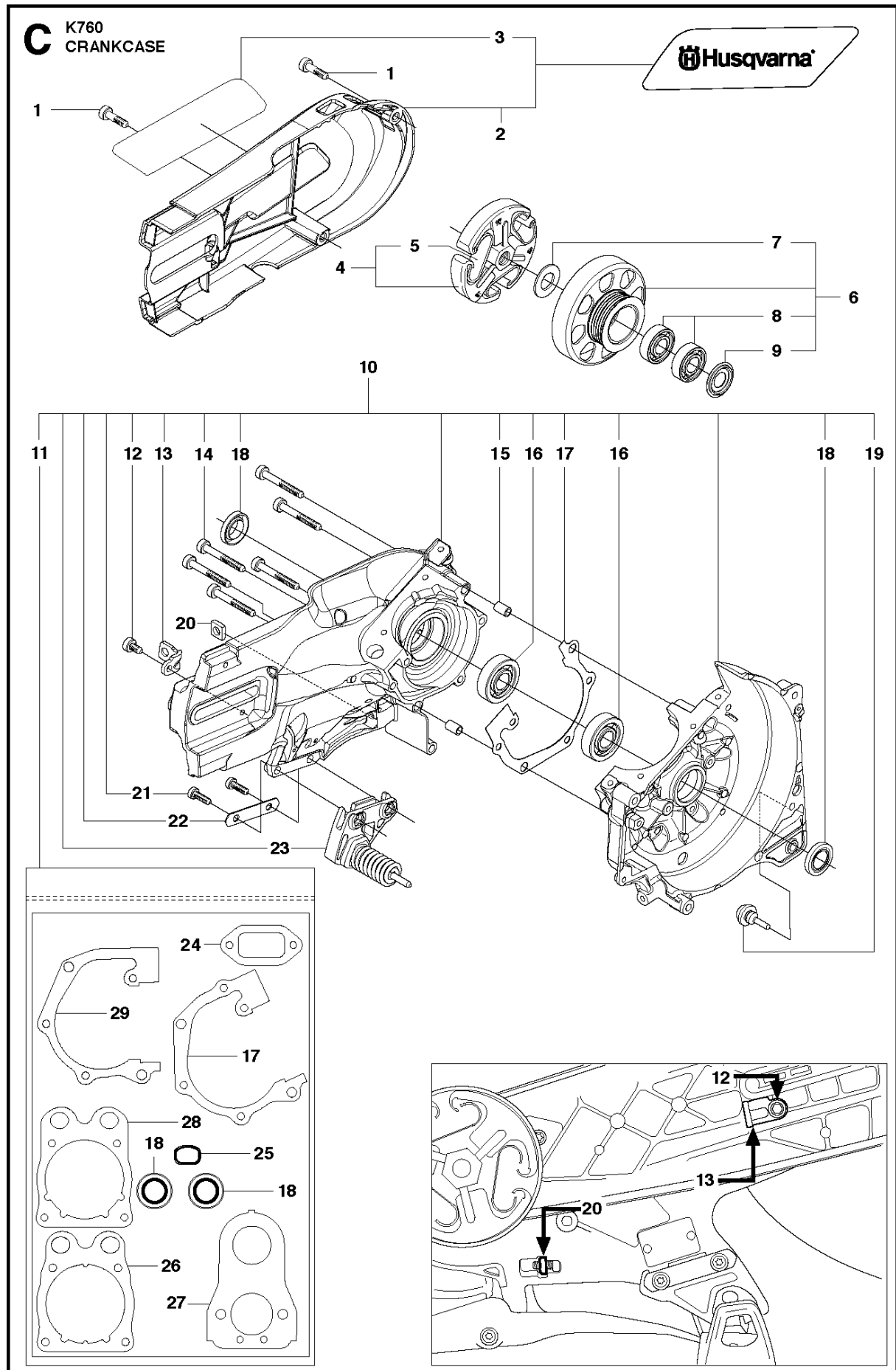




CARBURETOR

K760, 2013-02

Ref	Part no.	Description	Remark	Qty	Kit
1	578 24 34-01	CARBURETTOR	Zama C3-EL53	1	
2	506 40 99-02	GASKET KIT		1	
3	506 41 00-04	GASKET KIT CARB		1	



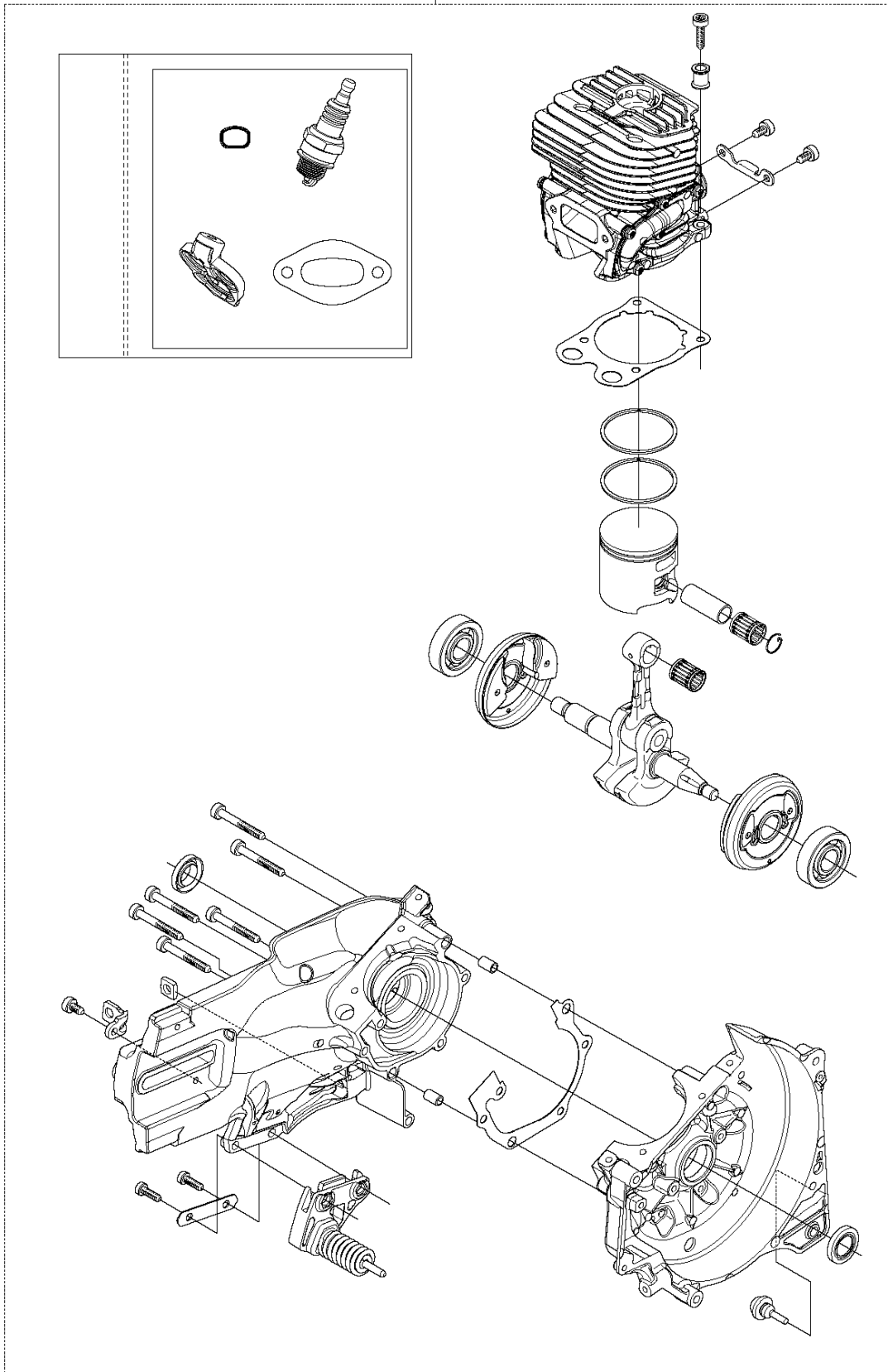
## CRANKCASE

K760, 2013-02

Ref	Part no.	Description	Remark	Qty	Kit
1	501 98 10-20	SCREW ITXSCM		2	
2	581 48 59-01	BELT GUARD		1	
3	575 62 85-01	DECAL		1	
4	503 74 44-06	CLUTCH ASSY	Incl. 5	1	
5	503 74 43-01	CLUTCH SPRING		3	
6	502 28 92-02	DRIVING PULLEY ASSY		1	
7	503 23 00-70	WASHER		1	
8	525 83 18-01	BALL BEARING		2	
9	506 31 69-01	DUST COVER		1	
10	581 72 19-01	CRANKCASE ASSY		1	
11	581 35 74-01	GASKET KIT		1	
12	501 98 10-01	SCREW ITXSCM		1	
13	544 00 78-01	BRACKET		1	
14	503 21 53-41	SCREW ITXSCM		6	
15	501 27 08-01	GUIDE BUSHING		2	
16	738 22 02-25	BALL BEARING		2	
17	506 37 70-03	GASKET CRANKCASE		1	
18	503 26 02-04	SEALING RING	Blue	2	
19	503 84 61-01	BUFFER		1	
20	503 22 65-04	SQUARE NUT		1	
21	503 21 53-16	SCREW ITXSCM		2	
22	522 47 48-01	PLATE		1	
23	522 47 57-01	SPRING RETAINER		1	
24	506 37 69-02	GASKET MUFFLER		1	
25	544 21 93-02	INSERT		1	
26	581 28 53-01	GASKET		1	
27	506 37 68-04	GASKET CARBURETTOR		1	
28	506 37 67-01	CYLINDER BASE GASKET		1	
29	506 37 70-02	GASKET CRANKCASE		1	

**R** K760  
LONGBLOCK

1

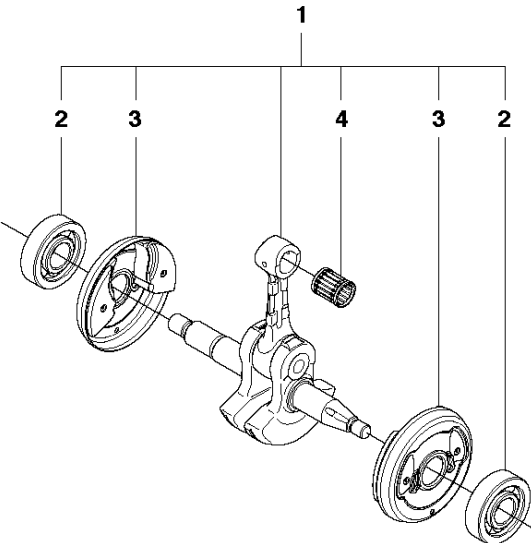


CRANKCASE

K760, 2013-02

Ref	Part no.	Description	Remark	Qty	Kit
1	581 72 19-02	CRANKCASE ASSY		1	

**E** K760  
CRANKSHAFT

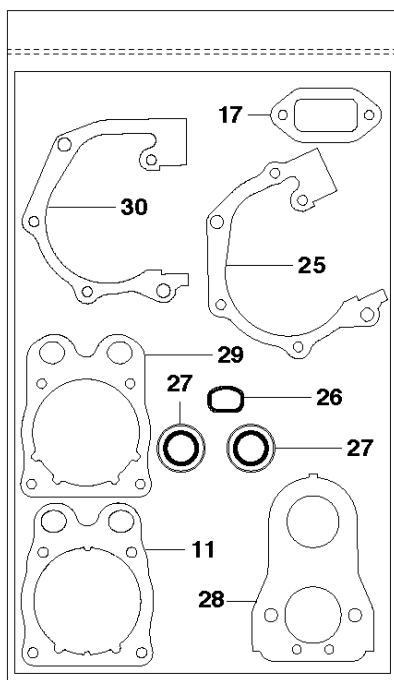
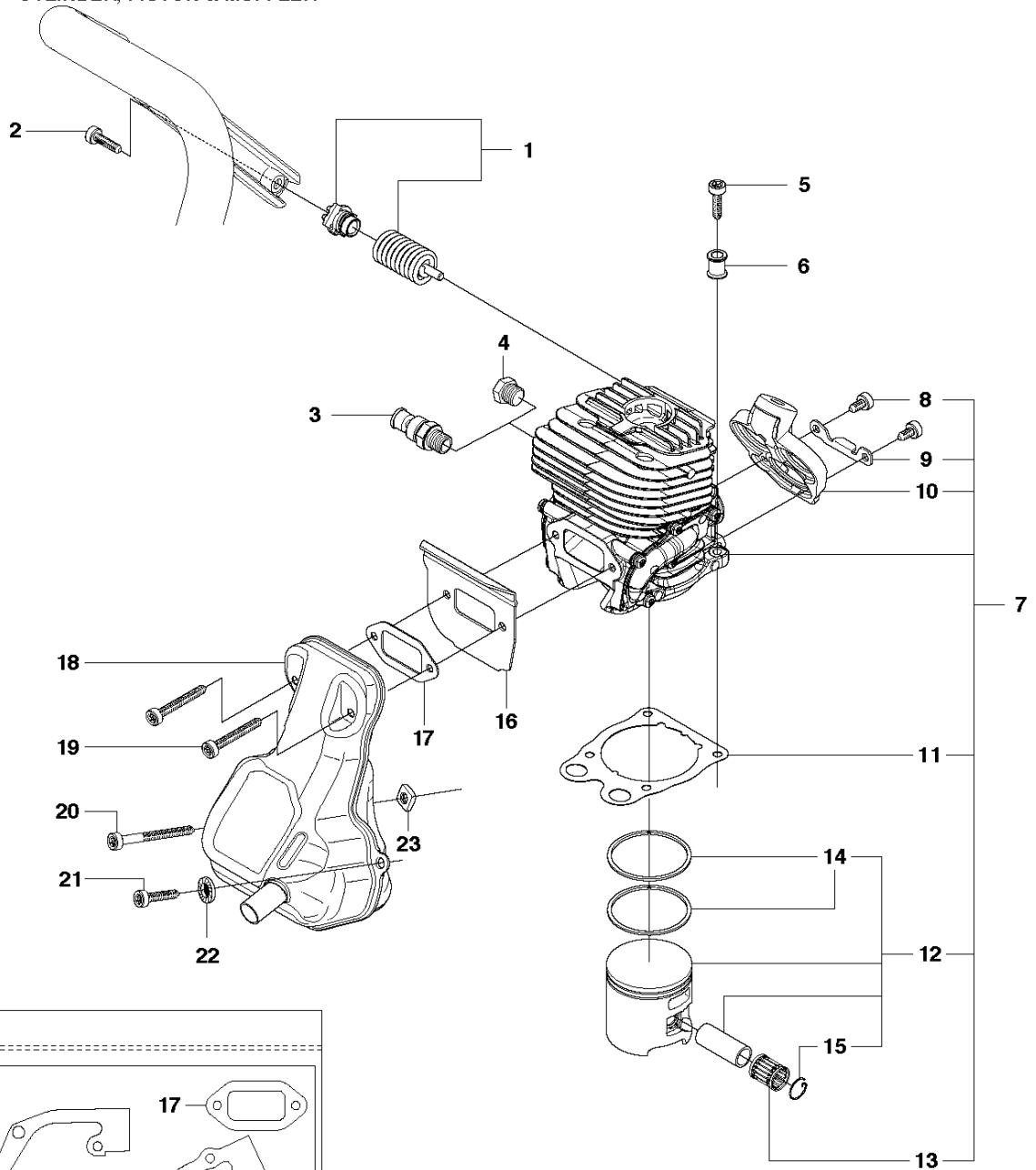


## CRANKSHAFT

K760, 2013-02

Ref	Part no.	Description	Remark	Qty	Kit
1	502 29 50-02	CRANKSHAFT ASSY	Incl. 2 - 4	1	
2	738 22 02-25	BALL BEARING		2	
3	537 20 33-01	CUP		2	
4	503 25 56-01	NEEDLE BEARING		1	

**D** K760  
CYLINDER, PISTON & MUFFLER

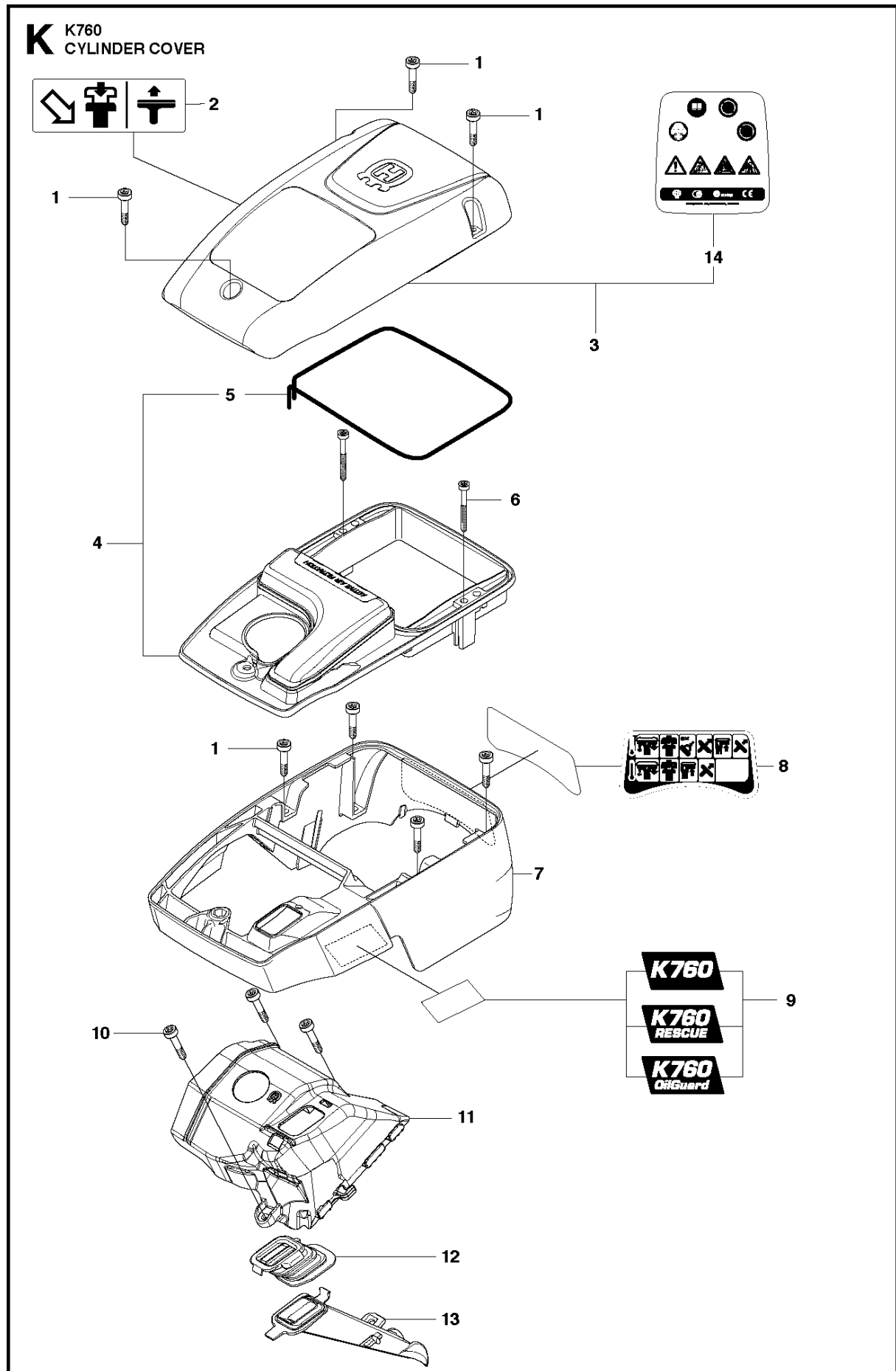




## CYLINDER

K760, 2013-02

Ref	Part no.	Description	Remark	Qty	Kit
1	579 74 42-01	ANTIVIBRATION ELEMENT		1	
2	544 06 12-01	SCREW ITXSCM		1	
3	503 71 53-01	DECOMPRESSION VALVE		1	
4	503 55 22-01	PLUG		1	
5	503 21 53-40	SCREW ITXSCM		4	
6	576 71 76-02	SLEEVE		4	
7	581 47 61-01	CYLINDER ASSY		1	
8	503 21 53-16	SCREW ITXSCM		2	
9	506 36 88-01	BRACKET		1	
10	574 23 18-01	PLATE		1	
11	581 28 53-01	GASKET		1	
12	506 37 24-02	PISTON ASSY		1	
13	577 57 24-01	NEEDLE BEARING		1	
14	503 28 90-47	PISTON RING		2	
15	737 43 12-00	SNAP RING		2	
16	506 37 58-02	COOLING PLATE		1	
17	506 37 69-02	GASKET MUFFLER		1	
18	506 36 42-04	MUFFLER ASSY		1	
19	503 21 53-40	SCREW ITXSCM		2	
20	503 21 53-56	SCREW ITXSCM		1	
21	503 21 53-25	SCREW ITXSCM		1	
22	503 23 04-02	WASHER		1	
23	503 22 65-04	SQUARE NUT		1	
24	581 35 74-01	GASKET KIT		1	
25	506 37 70-03	GASKET CRANKCASE		1	
26	544 21 93-02	INSERT		1	
27	503 26 02-04	SEALING RING	Blue	2	
28	506 37 68-04	GASKET CARBURETTOR		1	
29	506 37 67-01	CYLINDER BASE GASKET		1	
30	506 37 70-02	GASKET CRANKCASE		1	

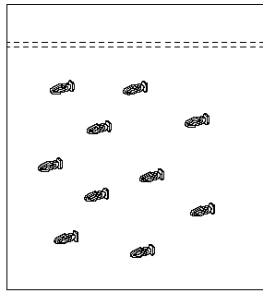


## CYLINDER COVER

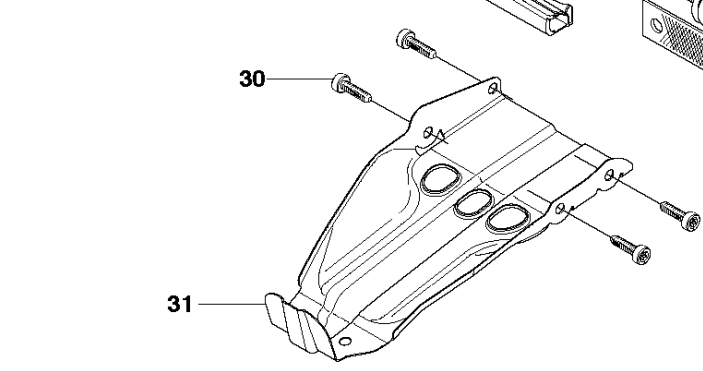
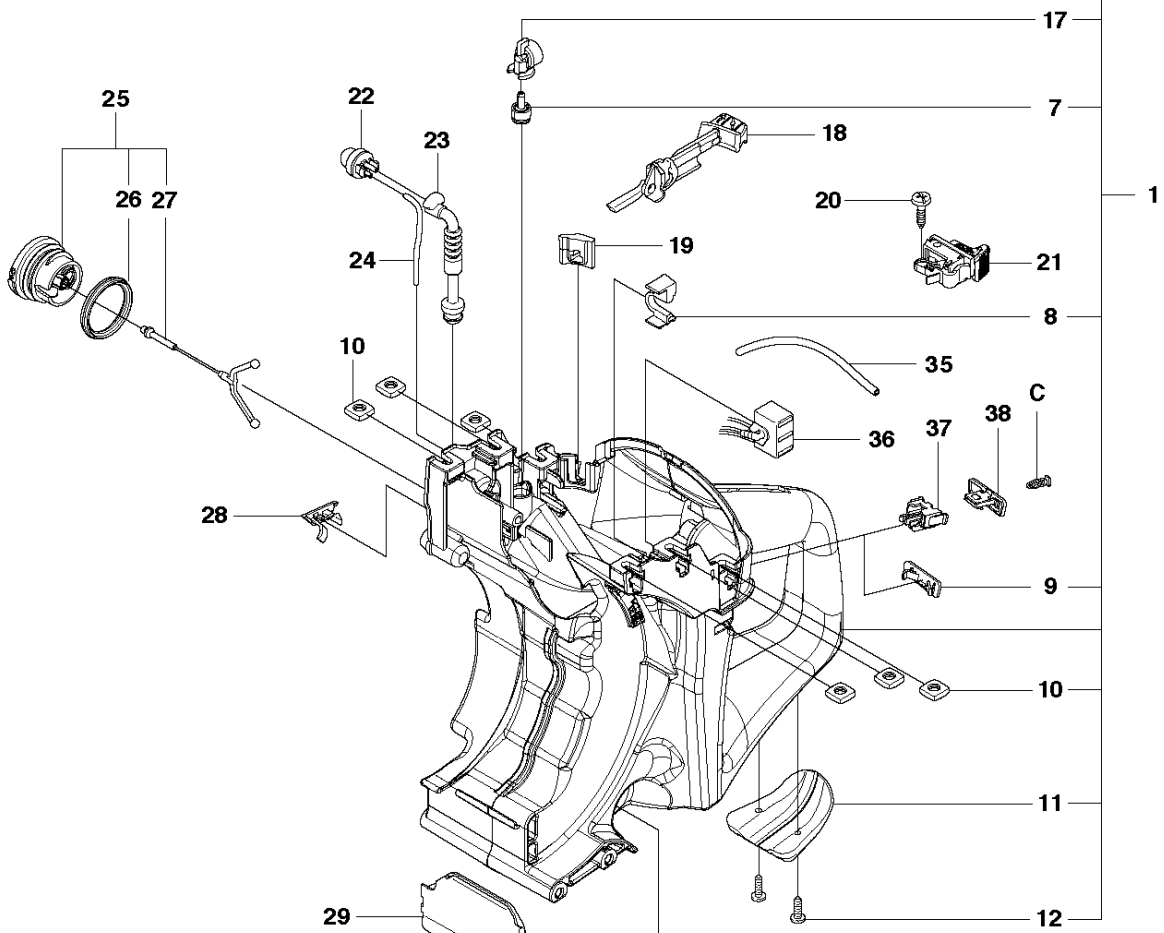
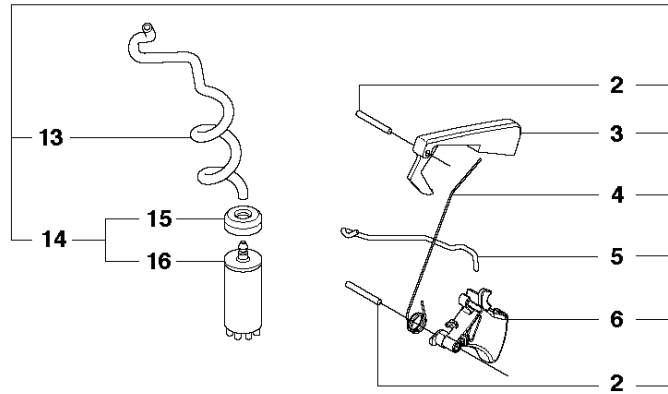
K760, 2013-02

Ref	Part no.	Description	Remark	Qty	Kit
1	503 21 53-21	SCREW ITXSCM		7	
2	525 76 35-02	DECAL		1	
3	583 96 52-01	FILTER COVER ASSY	incl. 14	1	
4	574 36 21-01	FILTER HOLDER ASSY	Incl. 5	1	
5	575 35 50-01	SEALING STRIP		1	
6	503 21 53-49	SCREW ITXSCM		2	
7	506 36 70-03	CYLINDER COVER		1	
8	579 24 03-01	DECAL		1	
9	574 23 16-01	DECAL		1	
9	574 23 16-02	DECAL	Rescue	1	
9	574 23 16-03	DECAL	Oil Guard	1	
10	501 98 10-20	SCREW ITXSCM		3	
11	574 45 94-01	COVER		1	
12	506 37 04-01	BELLOWS		1	
13	525 58 43-01	AIR NOZZLE		1	
14	581 83 50-03	DECAL	Generic	1	

**F** K760  
FUEL TANK



39 C



燃料は  
ガソリン **25 : 1** 2サイクル専用オイル

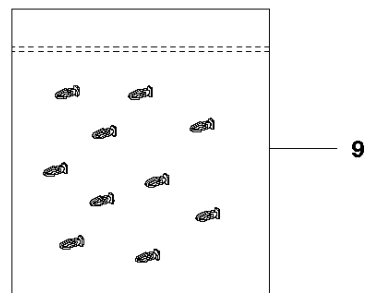
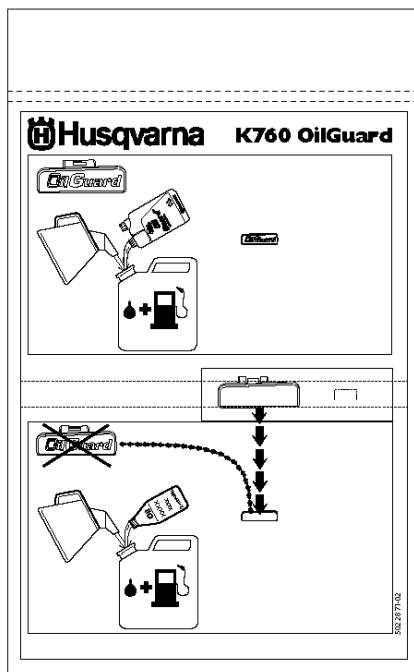
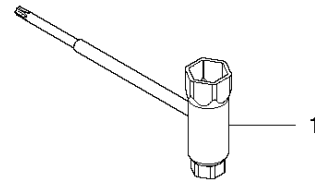
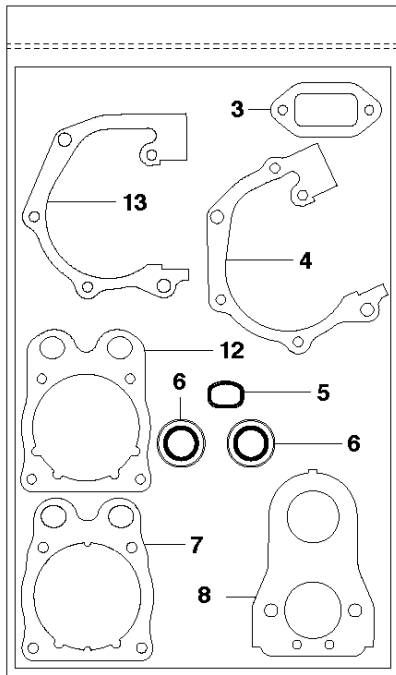
41

## FUEL TANK

K760, 2013-02

Ref	Part no.	Description	Remark	Qty	Kit
1	581 47 74-01	FUEL TANK ASSY	Incl. 2 - 14, 17	1	
2	720 12 40-20	PARALLEL PIN		2	
3	577 32 50-01	THROTTLE LOCKOUT		1	
3	577 32 50-02	THROTTLE LOCKOUT	Oil Guard	1	
4	506 37 95-01	SPRING		1	
5	579 37 92-01	THROTTLE ROD		1	
6	577 23 15-01	THROTTLE CONTROL		1	
6	577 23 15-02	THROTTLE CONTROL	Oil Guard	1	
7	537 35 95-01	TANK VENT ASSY		1	
8	544 39 32-01	HOSE CLIP		1	
9	501 37 13-01	LID		1	
10	503 22 65-04	SQUARE NUT		6	
11	506 38 67-02	GROUND SUPPORT		1	
12	503 21 45-16	SCREW CRCSFT		2	
13	581 75 62-03	FUEL HOSE		1	
13	581 75 62-02	FUEL HOSE	Oil Guard	1	
14	506 26 41-11	FUEL FILTER	Incl. 15 - 16	1	
15	506 27 11-01	HOSE CLAMP		1	
16	506 26 41-01	FUEL FILTER		1	
17	577 31 35-01	TANK VENT VALVE ASSY		1	
18	544 22 90-02	CHOKE CONTROL		1	
19	506 37 80-01	GROMMET		1	
20	503 21 28-10	SCREW CCRPANT		1	
21	506 31 86-02	STOP SWITCH		1	
22	503 93 66-01	PRIMER HOUSING	Purge	1	
23	505 19 52-01	FUEL HOSE	Purge	1	
24	537 04 24-14	FUEL HOSE	Purge	1	
25	522 62 00-01	TANK CAP ASSY	Incl. 26 - 27	1	
26	537 21 50-01	SEALING		1	
27	503 57 89-01	HOLDER		1	
28	506 39 46-02	CAP		1	
29	506 38 15-01	HEAT SHIELD		1	
30	503 21 54-20	SCREW ITXSCT		4	
31	506 37 19-02	BASE PLATE		1	
32	537 21 03-07	ANTIVIBRATION ELEMENT	Incl. 33 - 34	1	
33	544 06 12-01	SCREW ITXSCM		1	
34	544 23 82-01	BAND		1	
35	581 75 61-37	FUEL HOSE	Oil Guard	1	
36	544 38 41-01	ELECTRONIC BOX	Oil Guard	1	
37	501 01 88-01	HOUSING	Oil Guard	1	
38	501 01 94-01	SWITCH	Oil Guard	1	
39	502 23 33-01	KIT	Oil Guard, Incl. 10 pins	1	
40	501 31 89-01	LABEL	Oil Guard	1	
41	506 31 30-01	LABEL	Japan only	1	

**P** K760  
GASKET KIT

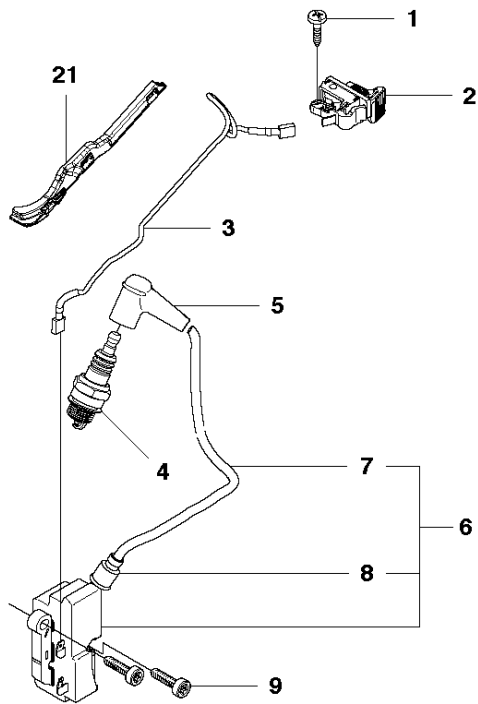


## GASKET KIT

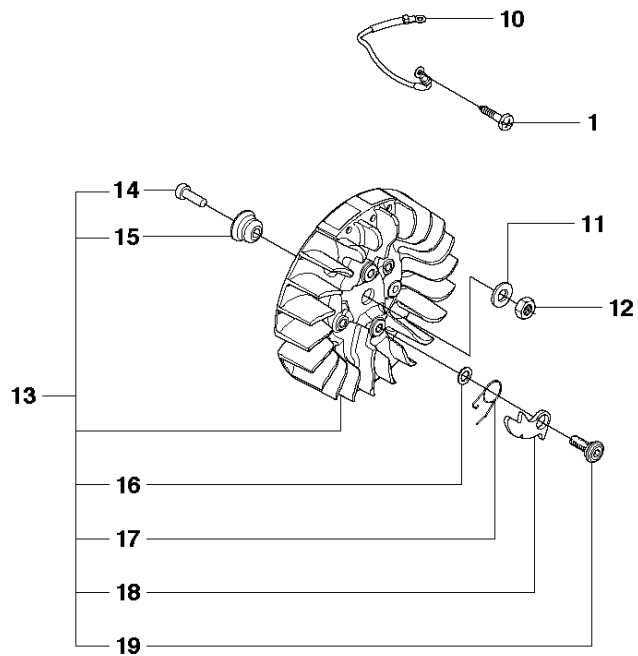
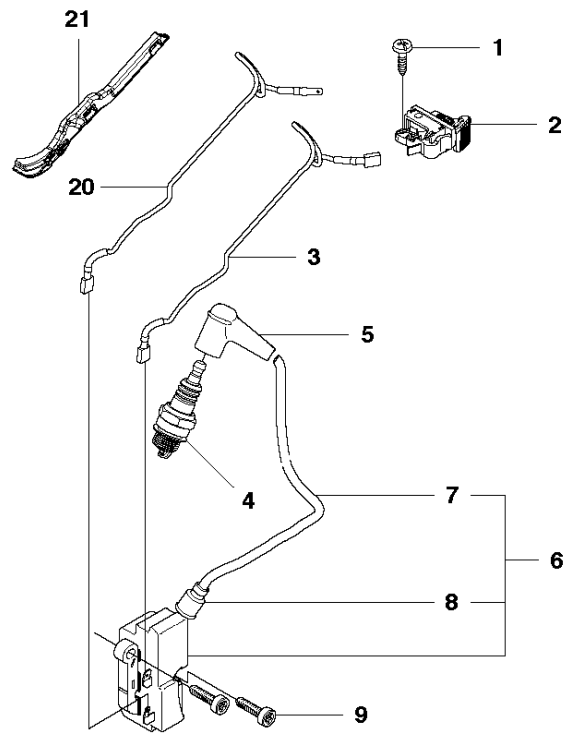
K760, 2013-02

Ref	Part no.	Description	Remark	Qty	Kit
1	506 38 26-01	COMBINATION TOOL		1	
2	581 35 74-01	GASKET KIT		1	
3	506 37 69-02	GASKET MUFFLER		1	
4	506 37 70-03	GASKET CRANKCASE		1	
5	544 21 93-02	INSERT		1	
6	503 26 02-04	SEALING RING	Blue	2	
7	581 28 53-01	GASKET		1	
8	506 37 68-04	GASKET CARBURETTOR		1	
9	502 23 33-01	KIT	1	1	
10	502 28 70-03	KIT		1	
11	501 01 95-01	SWITCH		1	
12	506 37 67-01	CYLINDER BASE GASKET		1	
13	506 37 70-02	GASKET CRANKCASE		1	

**J** K760  
IGNITION SYSTEM



K760 Oil Guard





## IGNITION SYSTEM

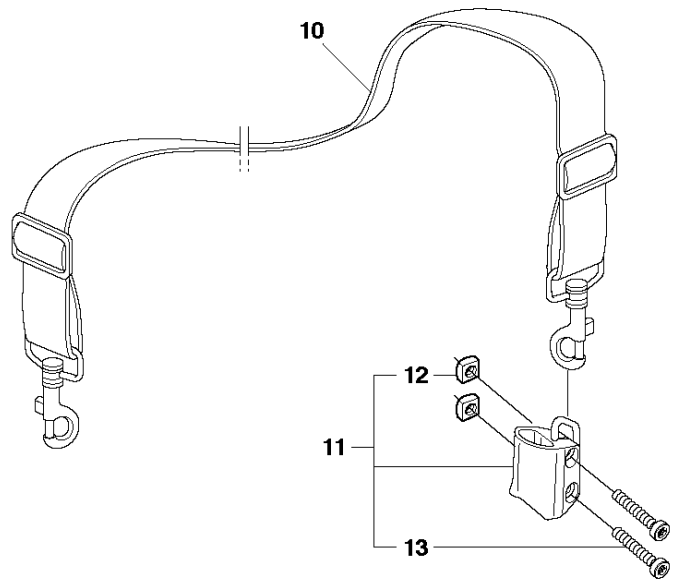
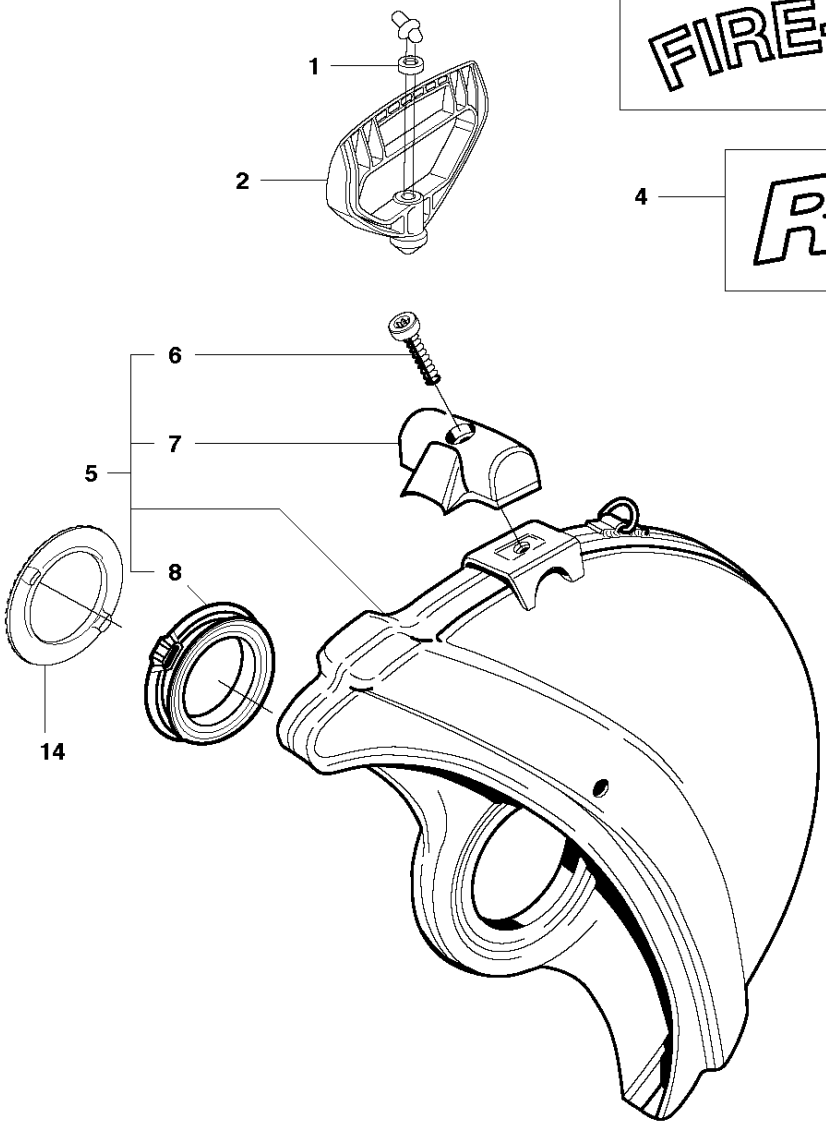
K760, 2013-02

Ref	Part no.	Description	Remark	Qty	Kit
1	503 21 28-10	SCREW CCRPANT		2	
2	506 31 86-02	STOP SWITCH		1	
3	506 37 84-02	CABLE		1	
3	544 97 93-01	CABLE	Oil Guard	1	
4	503 23 51-09	SPARK PLUG	RCJ 6 Y	1	
5	501 48 54-02	SPARK PLUG CAP		1	
6	580 38 05-01	IGNITION MODULE	Incl. 7 - 8	1	
7	506 38 78-34	IGNITION CABLE		1	
8	505 27 75-16	ISOLERHATT		1	
9	503 21 53-20	SCREW ITXSCM		2	
10	506 37 85-01	CABLE		1	
11	503 23 01-01	WASHER		1	
12	503 22 10-11	HEXAGON NUT		1	
13	501 37 56-04	FLYWHEEL	Incl. 14 - 19	1	
14	725 53 29-56	SCREW IHSCM		1	
15	574 25 09-01	WEIGHT		1	
16	503 23 00-42	WASHER		2	
17	501 63 48-01	SPRING		2	
18	501 67 32-03	PAWL		2	
19	506 00 69-01	SCREW		2	
20	544 38 49-01	CABLE	Oil Guard	1	
21	577 24 28-01	CABLE HOLDER		1	

**Q** K760  
RESCUE

**K12 FD  
FIRE-RESCUE**

**Rescue**

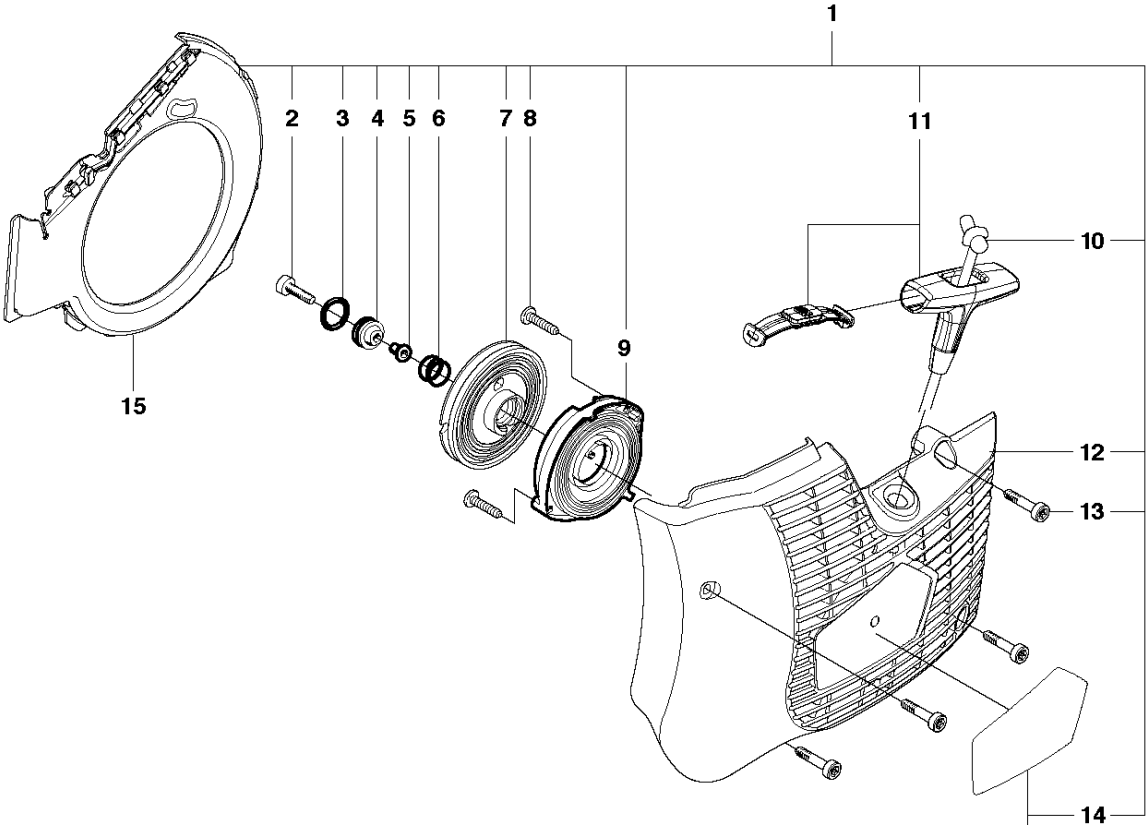


## RESCUE

K760, 2013-02

Ref	Part no.	Description	Remark	Qty	Kit
1	503 14 29-02	WASHER		1	
2	506 29 75-02	STARTER HANDLE		1	
3	506 32 20-02	LABEL		1	
4	506 30 23-02	LABEL		1	
5	506 34 05-52	WHEEL GUARD ASSY	"Rescue 12"". Incl. 6 - 8"	1	
6	503 21 53-20	SCREW ITXSCM		1	
7	506 34 46-02	HANDLE		1	
8	506 26 63-02	LINING		1	
9	544 89 06-02	LABEL		1	
10	506 29 76-02	SHOULDER STRAP		1	
11	506 30 25-04	BRACKET	Incl. 12, 13	1	
12	503 22 65-04	SQUARE NUT		2	
13	503 21 53-16	SCREW ITXSCM		2	
14	506 26 64-01	SCREEN PATTERN FLANG		1	

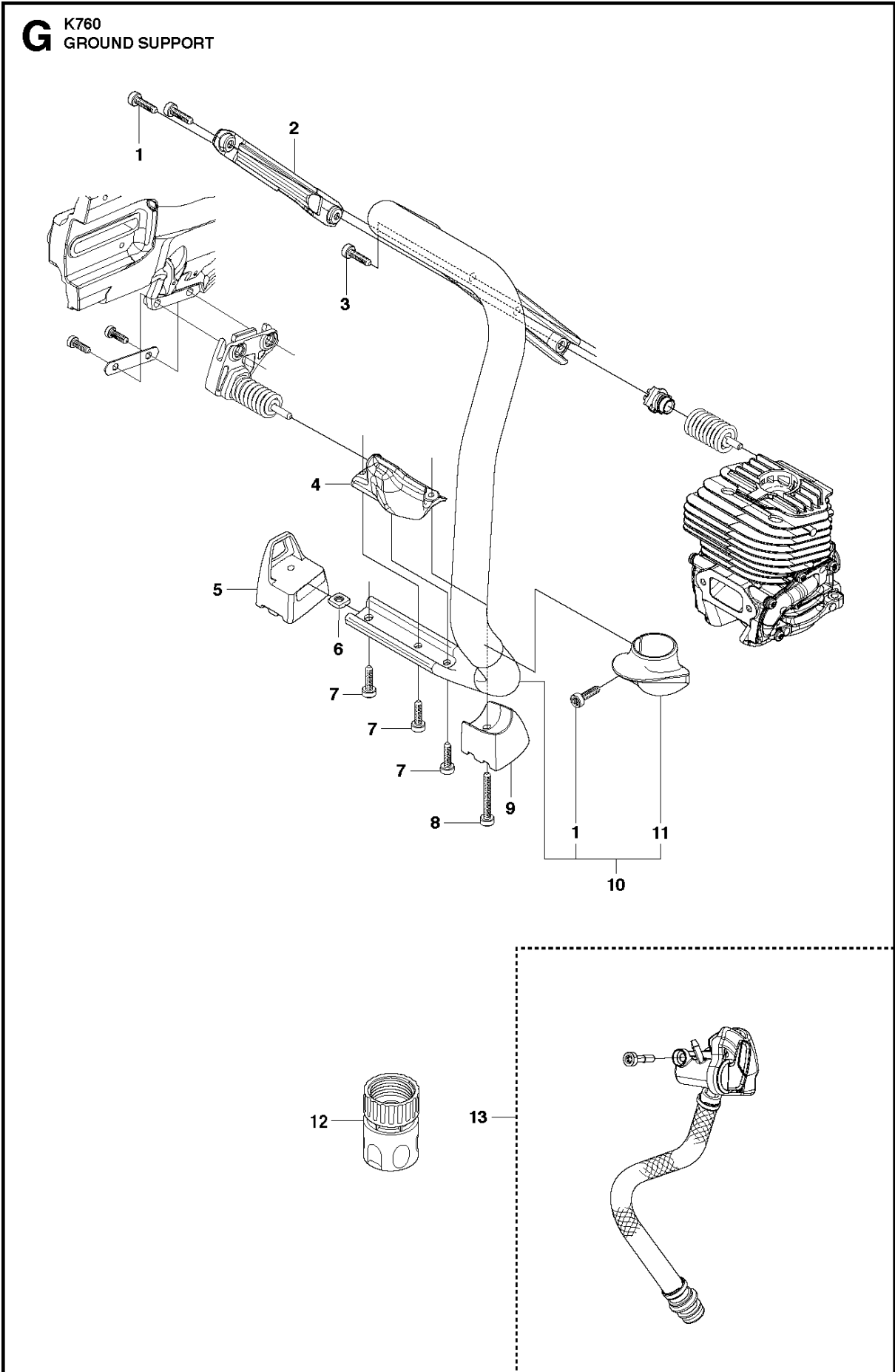
**H** K760  
STARTER



## STARTER

K760, 2013-02

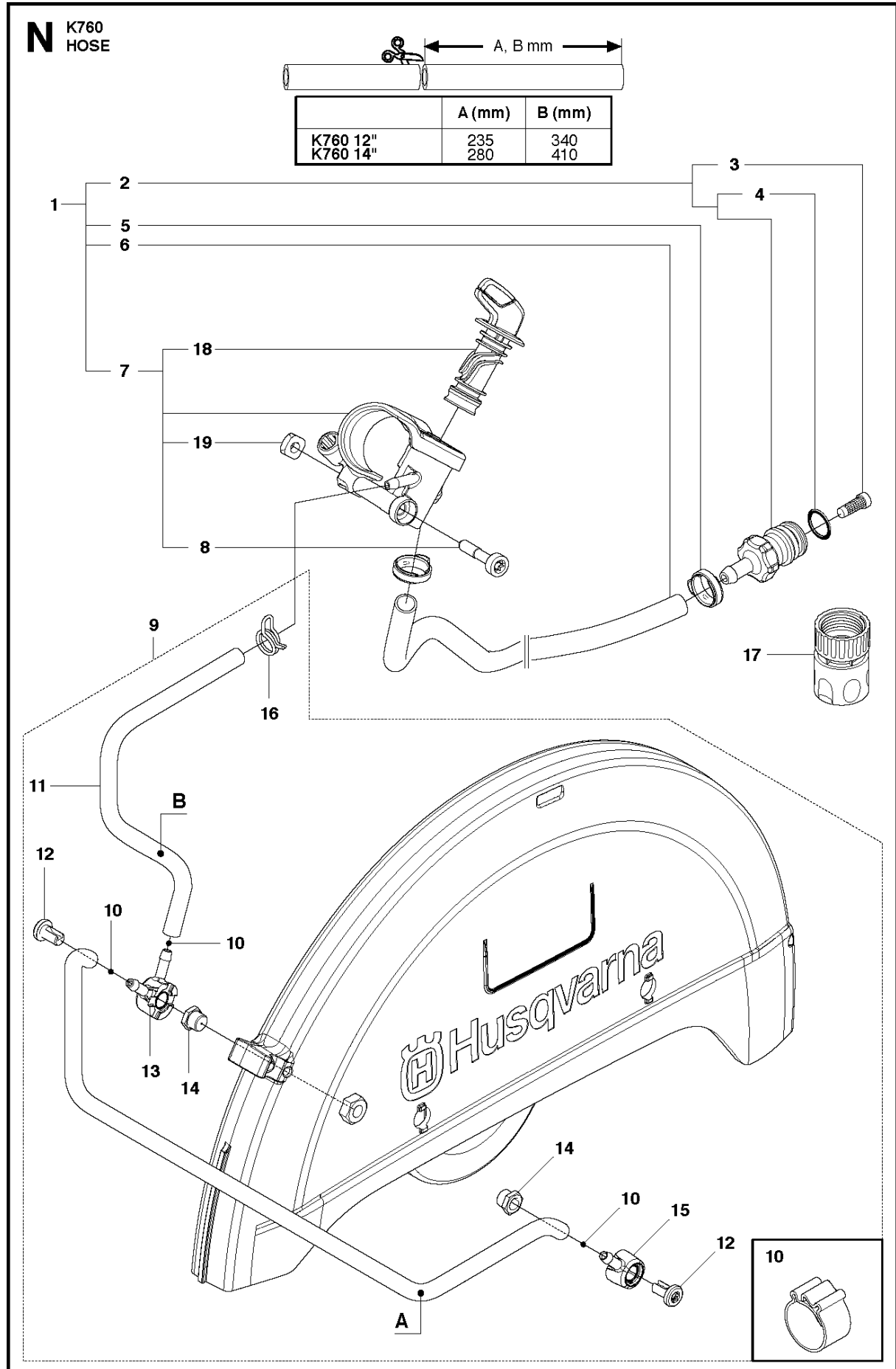
Ref	Part no.	Description	Remark	Qty	Kit
1	574 36 20-02	STARTER	Incl. 2 - 15	1	
2	510 26 92-22	SCREW ITXSCT		1	
3	740 43 13-00	O-RING		1	
4	510 00 08-01	SEALING HOLDER		1	
5	506 26 31-01	SPACING SLEEVE		1	
6	506 25 30-01	COMPRESSION SPRING		1	
7	506 25 81-02	STARTER PULLEY		1	
8	503 21 28-10	SCREW CCRPANT		2	
9	506 25 89-01	RECOIL SPRING		1	
10	506 33 56-15	STARTER CORD		1	
10	506 33 56-50	STARTER CORD	50 m	1	
11	584 25 79-01	STARTER HANDLE ASSY		1	
12	525 44 60-01	STARTER COVER		1	
13	501 98 10-20	SCREW ITXSCM		4	
14	525 57 11-01	DECAL		1	
15	544 38 39-01	AIR CONDUCTOR		1	



## SUPPORT LEGS

K760, 2013-02

Ref	Part no.	Description	Remark	Qty	Kit
1	503 21 54-20	SCREW ITXSCT		3	
2	577 98 16-01	HOSE GUARD		1	
3	544 06 12-01	SCREW ITXSCM		1	
4	575 26 77-01	SPRING RETAINER		1	
5	522 83 23-01	GROUND SUPPORT		1	
6	503 22 65-04	SQUARE NUT		1	
7	503 21 53-10	SCREW ITXSCM		3	
8	503 21 53-40	SCREW ITXSCM		1	
9	522 83 24-01	GROUND SUPPORT		1	
10	581 11 06-03	HANDLE ASSY	Incl. 1,11	1	
11	506 38 71-02	STOP		1	
12	503 26 60-03	COUPLER	USA, Canada	1	
12	503 26 60-04	COUPLER		1	
13	581 47 62-01	HOSE KIT		1	





## WATER HOSE KIT

K760, 2013-02

Ref	Part no.	Description	Remark	Qty	Kit
1	581 47 62-01	HOSE KIT	Incl. 2, 5 - 7 & Hose Guard	1	
2	581 47 83-01	NIPPLE	Incl. 3, 4	1	
3	506 29 88-01	FILTER		1	
4	505 10 35-01	O-RING		1	
5	581 78 35-01	HOSE CLAMP		2	
6	578 19 81-01	HOSE		1	
7	578 24 33-01	VALVE ASSY	Incl. 8, 18, 19	1	
8	503 21 53-41	SCREW ITXSCM		2	
9	581 72 15-01	HOSE KIT	Incl. 10 - 16	1	
10	506 49 87-03	HOSE CLAMP		3	
11	578 19 83-05	HOSE	800 mm	1	
12	504 63 46-01	SCREW ITXSCM		2	
13	578 19 07-01	HOUSING		1	
14	576 79 84-01	NIPPLE		2	
15	578 19 08-01	HOUSING		1	
16	583 83 30-01	HOSE CLAMP		1	
17	503 26 60-03	COUPLER	USA, Canada	1	
17	503 26 60-04	COUPLER		1	
18	581 35 70-01	LEVER ASSY	With O-rings	1	
19	503 22 65-04	SQUARE NUT		1	